

**AMENDMENTS TO THE DRAWINGS**

Attached are five sheets of corrected drawings (Figs. 1-6B) to be entered into the official record of this application.



Applicant: Burgdorf, J.  
Title: Spot Type Disc Brake With a  
Spring Assembly for a Brake Lining

Docket: AP9976  
S.N. 09/916,174

1/5

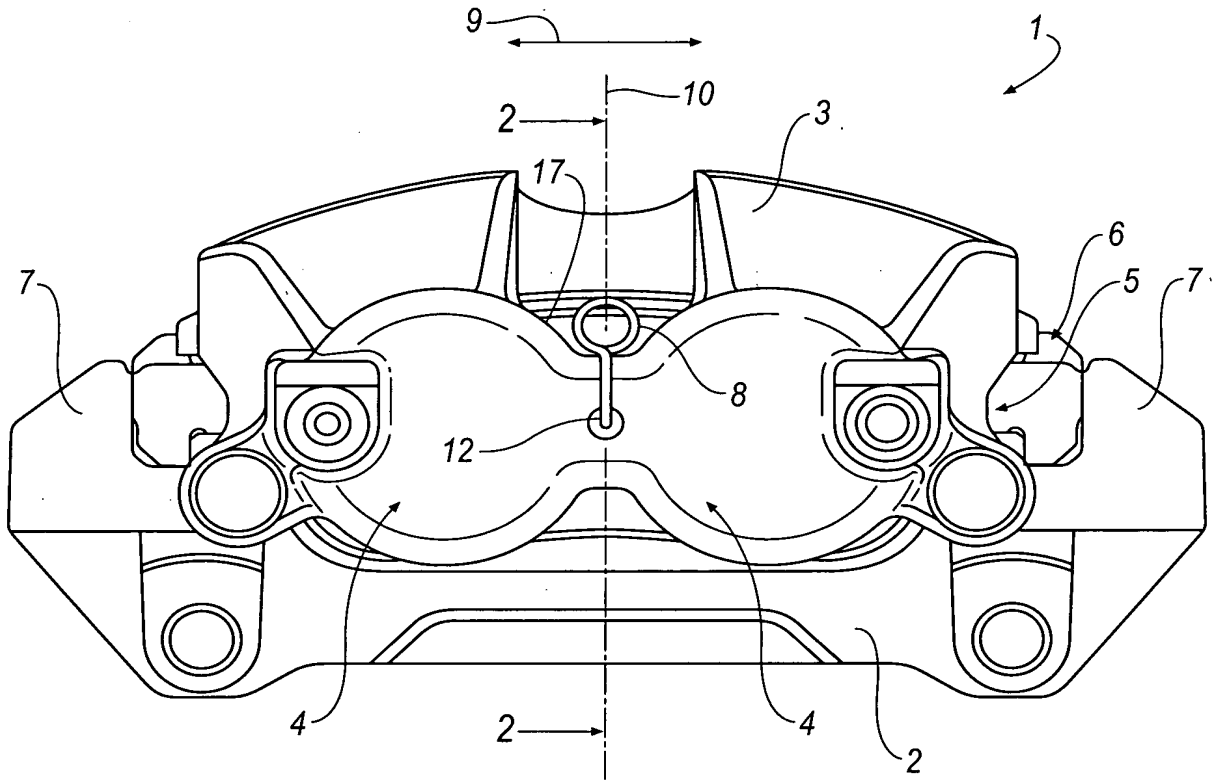


FIG. 1

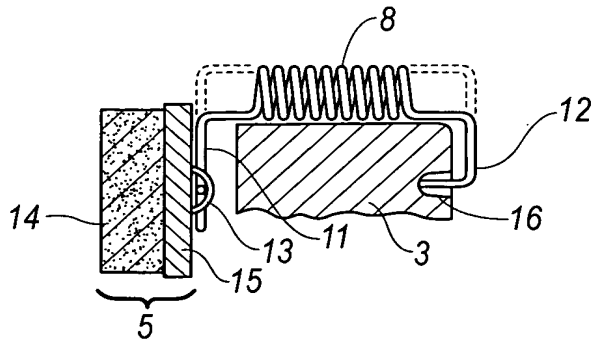


FIG. 2



Applicant: Burgdorf, J.  
Title: Spot Type Disc Brake With a  
Spring Assembly for a Brake Lining

Docket: AP9976  
S.N. 09/916,174

2/5

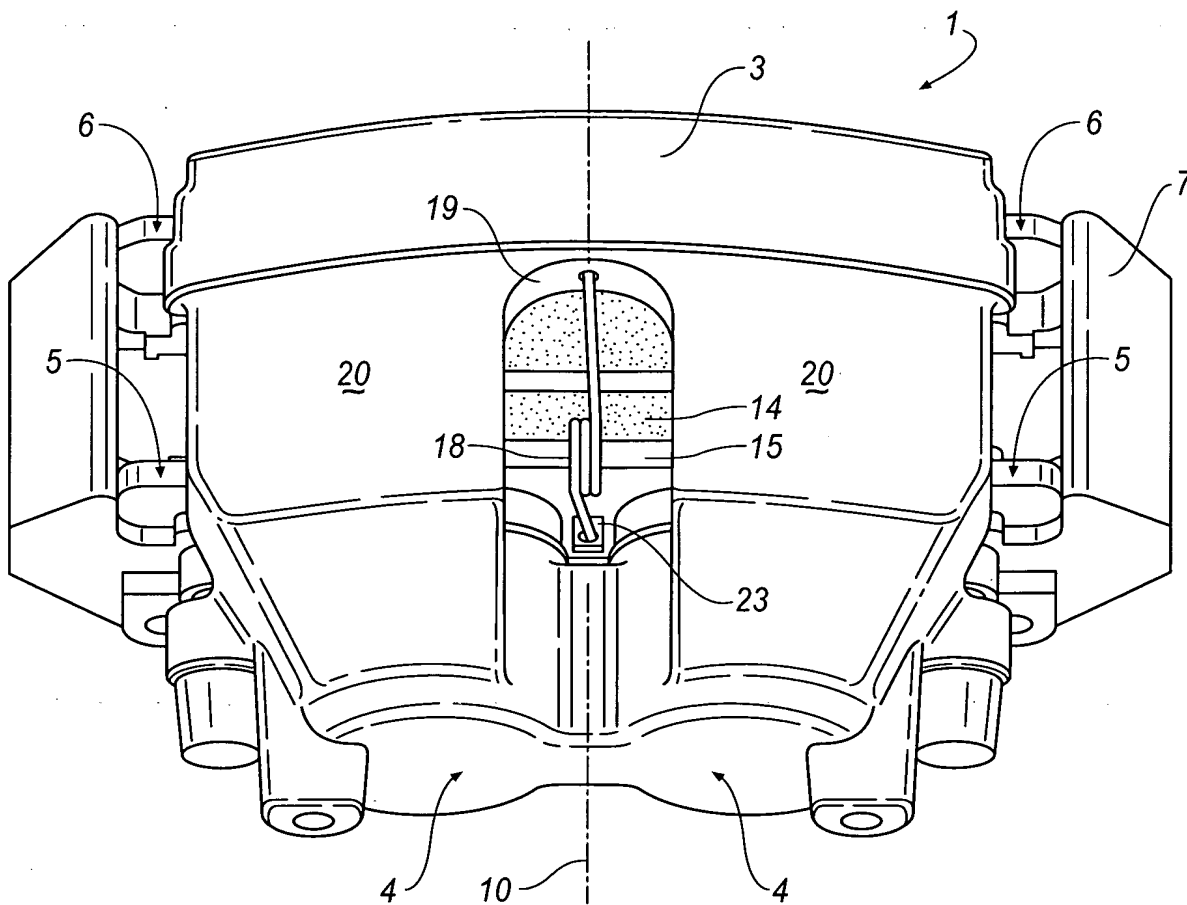


FIG. 3A

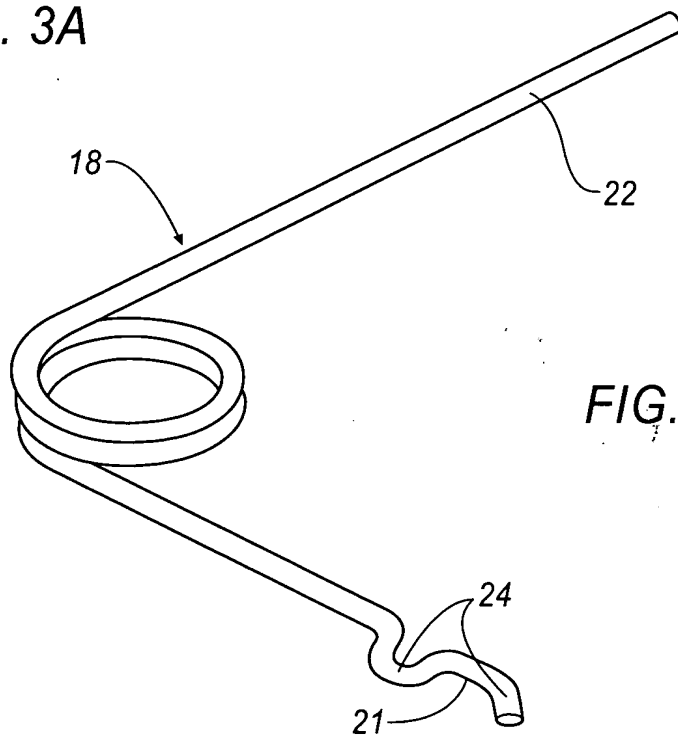


FIG. 3B



Applicant: Burgdorf, J.  
Title: Spot Type Disc Brake With a  
Spring Assembly for a Brake Lining

Docket: AP9976  
S.N. 09/916,174

3/5

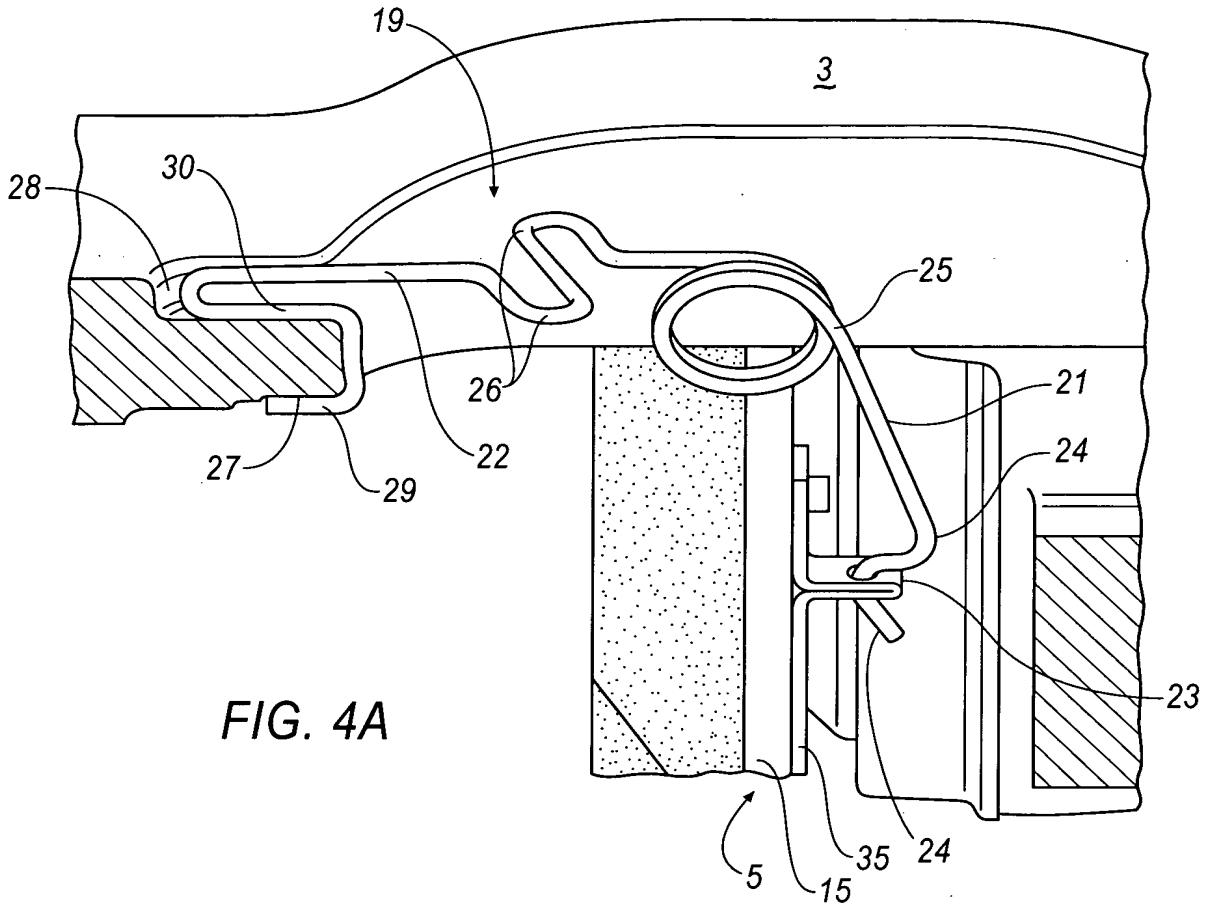


FIG. 4A

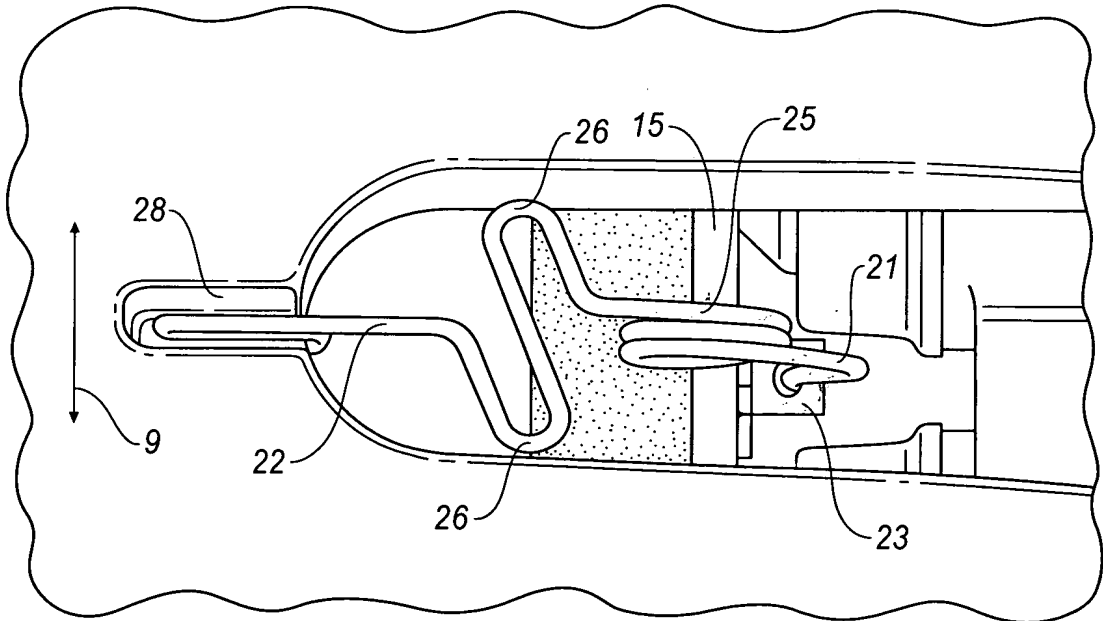


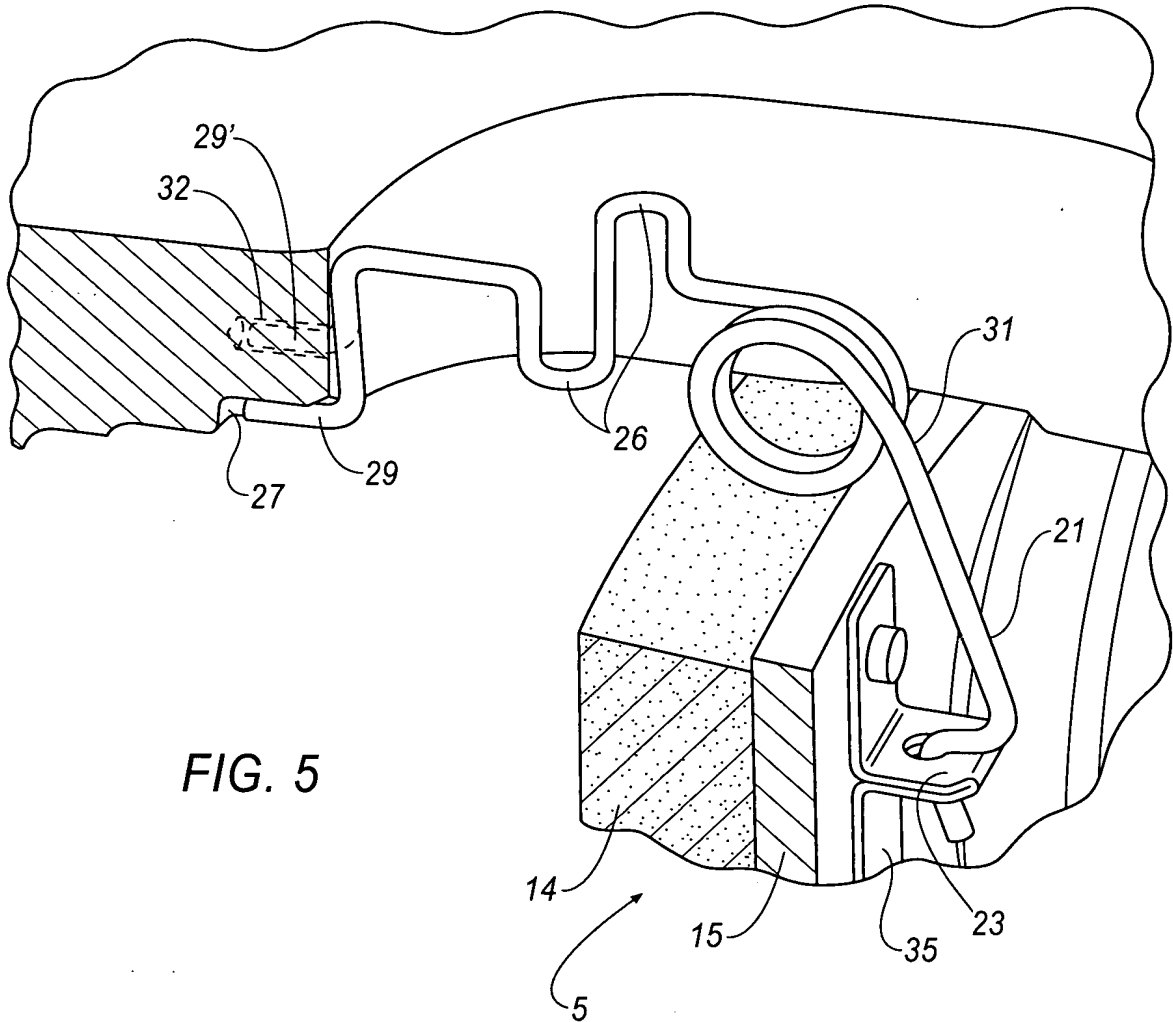
FIG. 4B



Applicant: Burgdorf, J.  
Title: Spot Type Disc Brake With a  
Spring Assembly for a Brake Lining

Docket: AP9976  
S.N. 09/916,174

4/5





Applicant: Burgdorf, J.  
Title: Spot Type Disc Brake With a  
Spring Assembly for a Brake Lining

Docket: AP9976  
S.N. 09/916,174

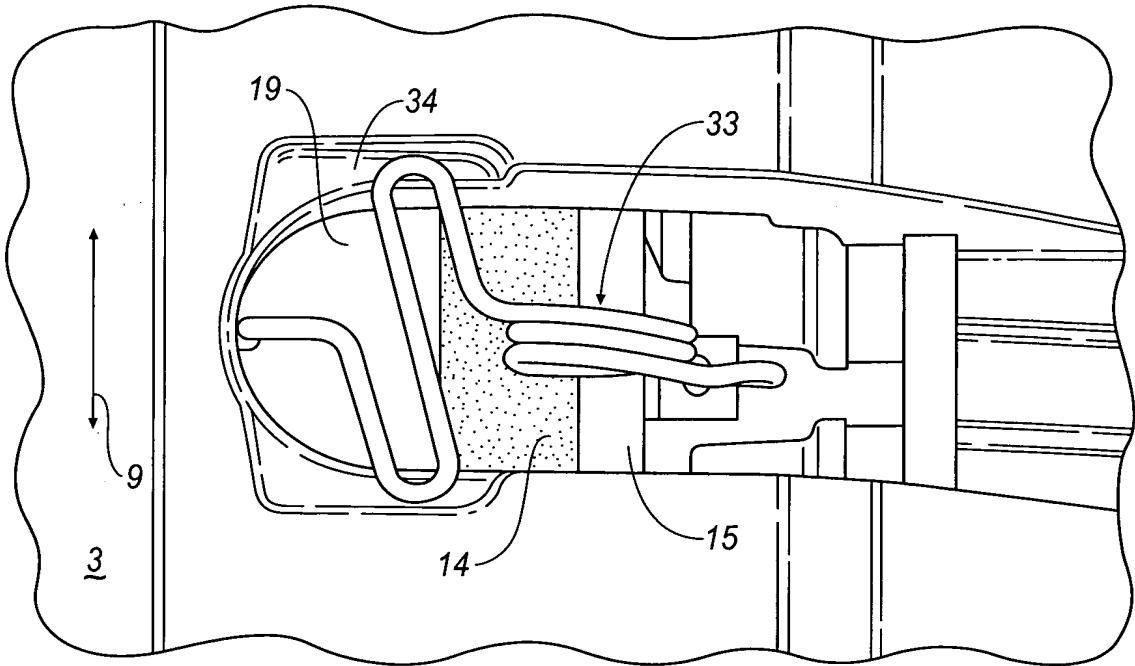


FIG. 6A

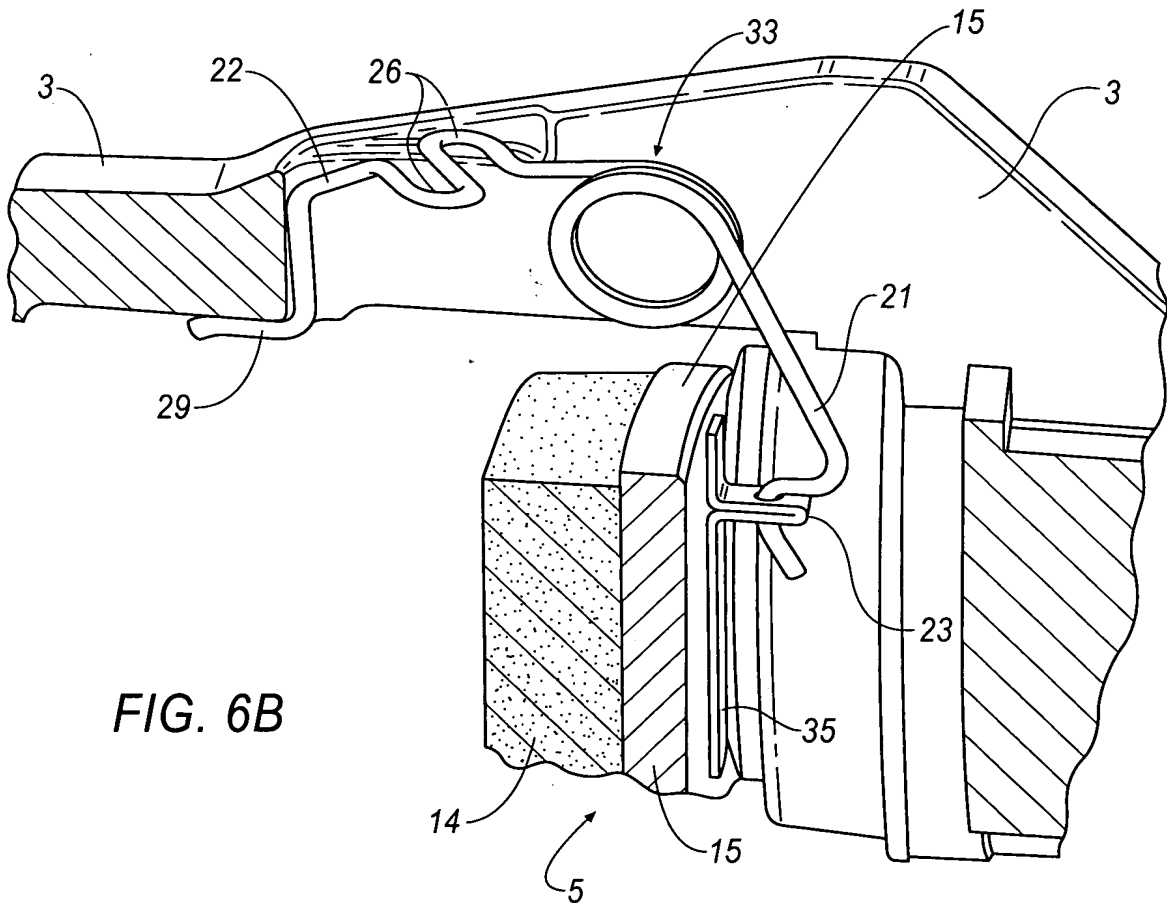


FIG. 6B